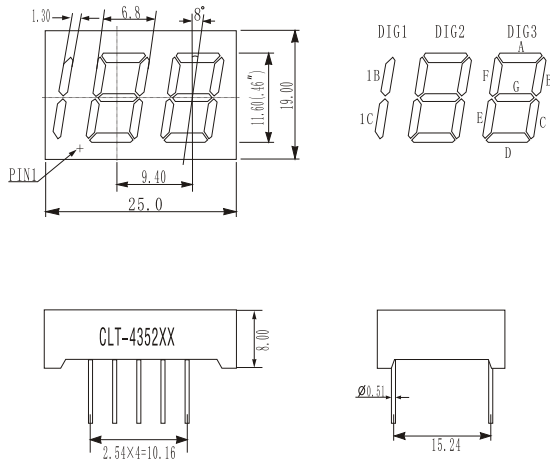
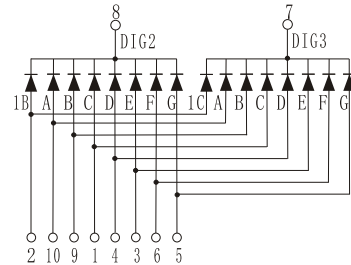


Part No.	LED Chip(Ta=+25°C)				
	Material	Emitted Color	λ_P (nm)	If=20mA	
				Vf(V) Typ.	Iv(mcd) Typ.
PACKAGE DIMENSION			INTERNAL CIRCUIT DIAGRAM		

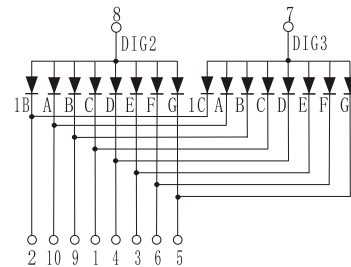
CLT-4352Series



CLT-4352A □

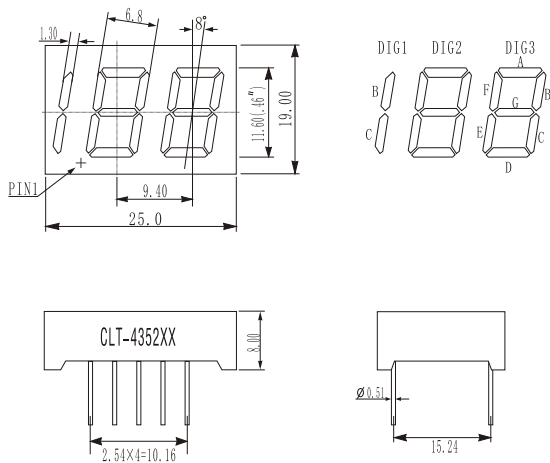


CLT-4352B □

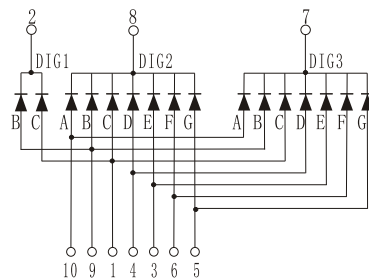


CLT-4352E	GaAsP/GaP	Orange	610	2.0	2.4	10
CLT-4352G	GaP	Yellow Green	568	2.2	2.6	11
CLT-4352S	GaAlAs/GaAs	High-Red	660	1.8	2.3	11

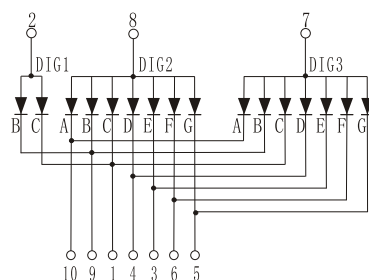
CLT-4352Series



CLT-4352C □



CLT-4352D □



Remark : 1. "△" represents Internal Circuit Feature: A、C、E...Common Cathode, B、D、F...Common Anode.
 2. "□" represents LED Emitted Color.
 3. All dimensions are in millimeters(inches), tolerance is $\pm 0.25\text{mm}(0.01\text{ inch})$ unless otherwise noted.
 4. All the products are RoHS-compliant.
 5. Supplier will reserve authority on material change for above specification.